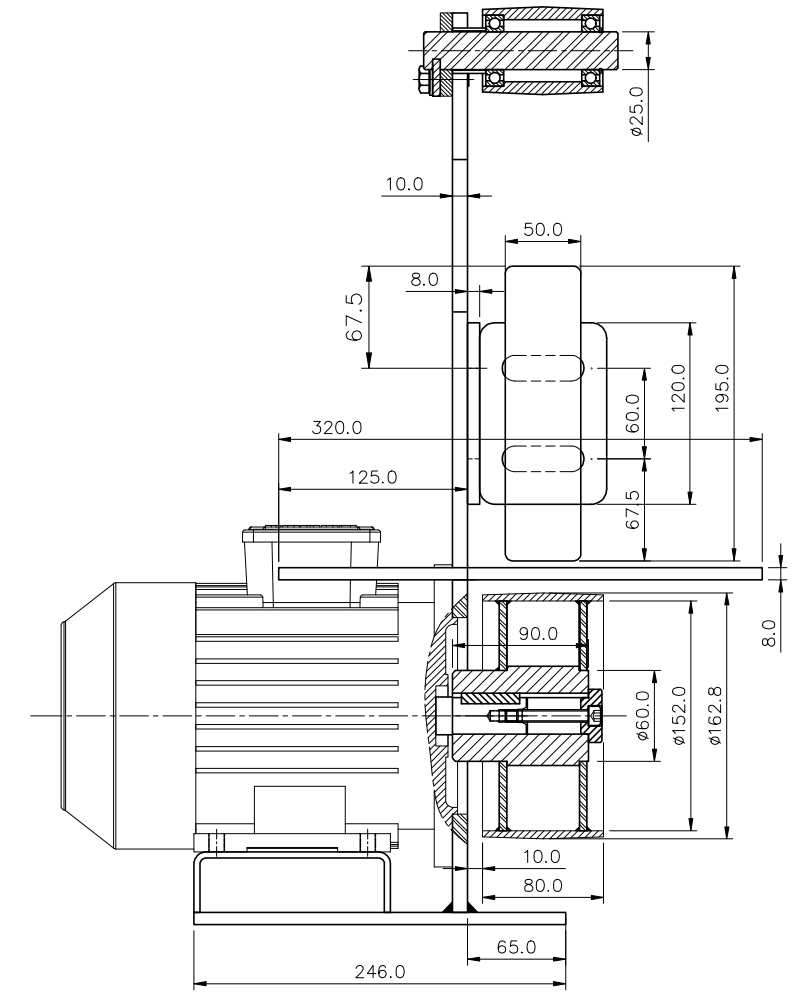
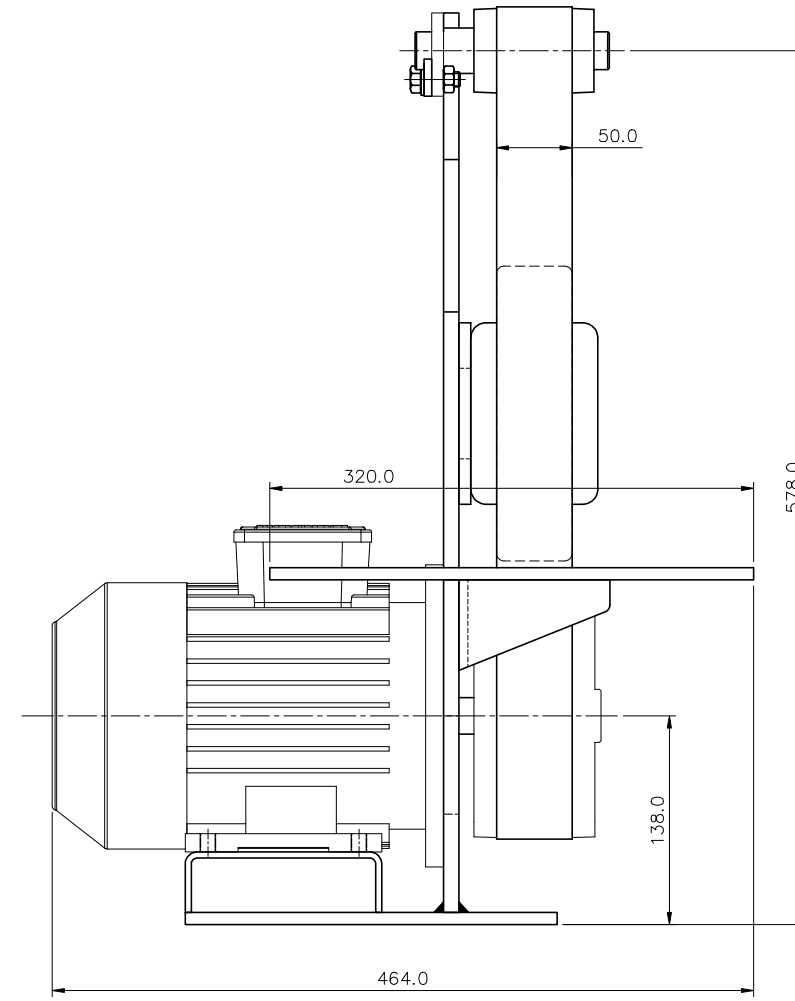
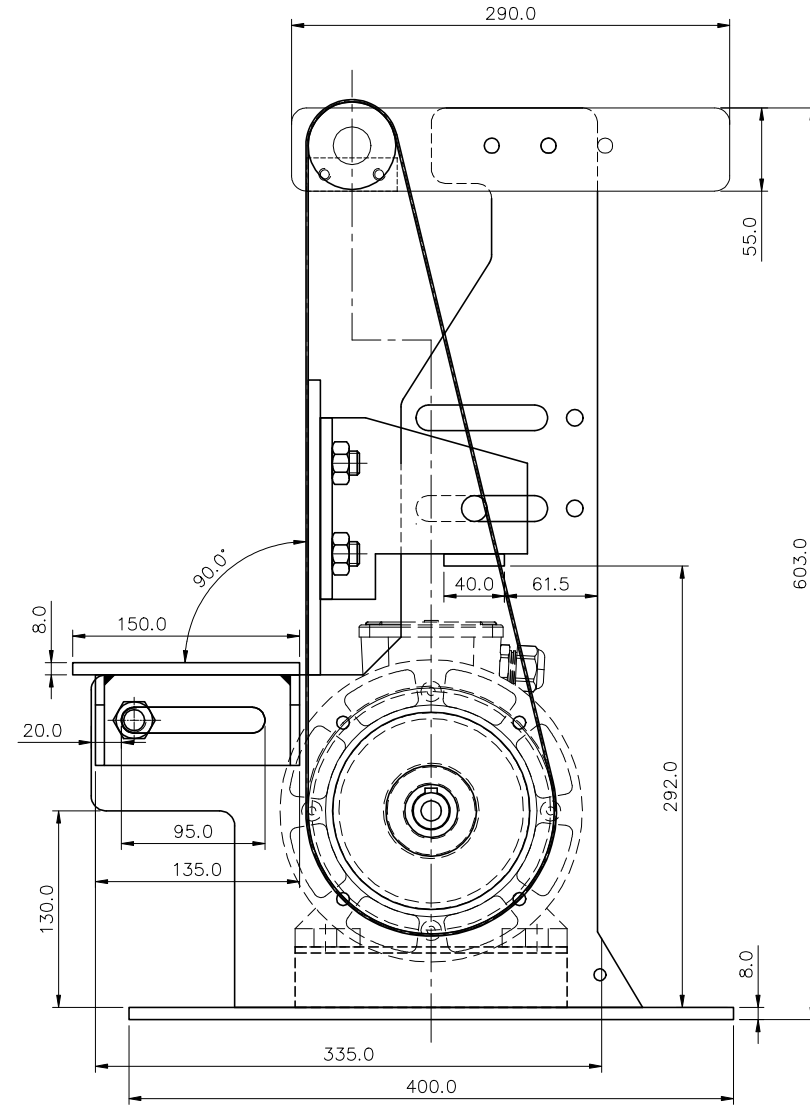
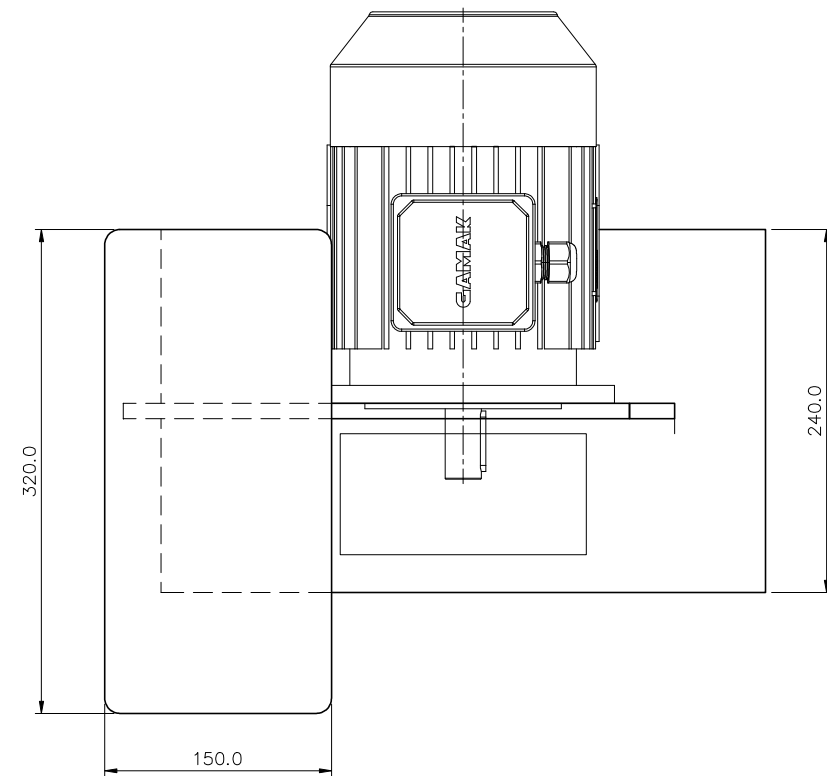


Rev No.	Rev. Tarihi	Revize Eden	Onaylayan	Revizyon Açıklaması
00	---	---	---	---



A - A kesiti



---	13	---	---	---	---	---	---	
---	12	---	---	---	---	---	---	
---	11	---	---	---	---	---	---	
---	10	---	---	---	---	---	---	
---	9	---	---	---	---	---	---	
---	8	---	---	---	---	---	---	
---	7	---	---	---	---	---	---	
---	6	---	---	---	---	---	---	
---	5	---	---	---	---	---	---	
---	4	---	---	---	---	---	---	
---	3	---	---	---	---	---	---	
---	2	---	---	---	---	---	---	
---	1	---	---	---	---	---	---	
Montaj No	Parça No	Parça Adı	Miktar	Malzeme	Ağırlık	Açıklama		
		Çizen - Çizim Tarihi	Onaylayan - Onay Tarihi		Boyut	 Tüm ölçüler mm'dir.	Ölçek 1/5	
		A.Elkut - 12.08.2016	---		A3			
		Tasarım Adı	2 Teker Bant Zımpara Makinası					
		Resim Adı	2 Teker Bant Zımpara Makinası Genel Görünümü				Resim No.	---